

UN Series

AC/DC Adaptor **18W** Series Wall Mount



▲ UN118/UN318



▲ UNL118/UNL318



▲ UNY318



▲ UNZ318



▲ UNE318



▲ UNR318



▲ UNK318



▲ UNA318



■ Please contact our sales department for safety standard of each model.



Product Highlights

- Stability
- Ultra small size
- Energy efficiency
- Suit , optical network, ADSL modem, Audio or Video equipment

Protection

- Short circuit protection
- Over Voltage Protection
- Over Current Protection

Safety Approvals

- UL60950
- CAN/CSA C22.2 NO. 60950
- PSE
- IEC/EN60950-1

Efficiency

- Meet Doe Level VI
- Meet Coc V Tier2

Emissions

- FCC Part15 Class B
- CE CISPR 32 Class B
- VCCI Class B

Immunity

- EN55024/A1:2001

Electrical Spec Absolute Maximum Rating

Input					
Description	Min	Typ	Max	Units	Comment
Voltage	90	100~240	264	VAC	
Frequency	47	50/60	63	Hz	

Environmental					
Description	Min	Typ	Max	Units	Comment
Operating Temperature	0	-	40	°C	Free Convection,Sea level
Storage Temperature	-20	-	65	°C	Free Convection,Sea level
Operating Humidity	5	-	95	%RH	No Condensing
Storage Humidity	5	-	95	%RH	No Condensing

Typical model list

Input Condition	DC Output Voltage	DC Output Current	Output Voltage Precision	Ripple	Noises	Regulation		Option/Remark	
						Line	Load		
Input Voltage: 90V-264Vac Frequency: 47-63Hz	1	5V	2.6A	±5%	150mV	150mV	2%	10%	
	2	5V	3.0A	±5%	150mV	150mV	2%	10%	
	3	5.5V	3.0A	±5%	150mV	150mV	2%	10%	
	4	5.9V	2.8A	±5%	150mV	150mV	2%	10%	
	5	6V	2.8A	±5%	150mV	150mV	2%	10%	*
	6	9V	2.0A	±5%	120mV	180mV	2%	10%	
	7	12V	1.5A	±5%	120mV	240mV	2%	10%	
	8	15V	1.2A	±5%	200mV	240mV	2%	10%	
	9	24V	0.75A	±5%	240mV	240mV	2%	10%	
	10	48V	0.4A	±5%	480mV	960mV	2%	10%	

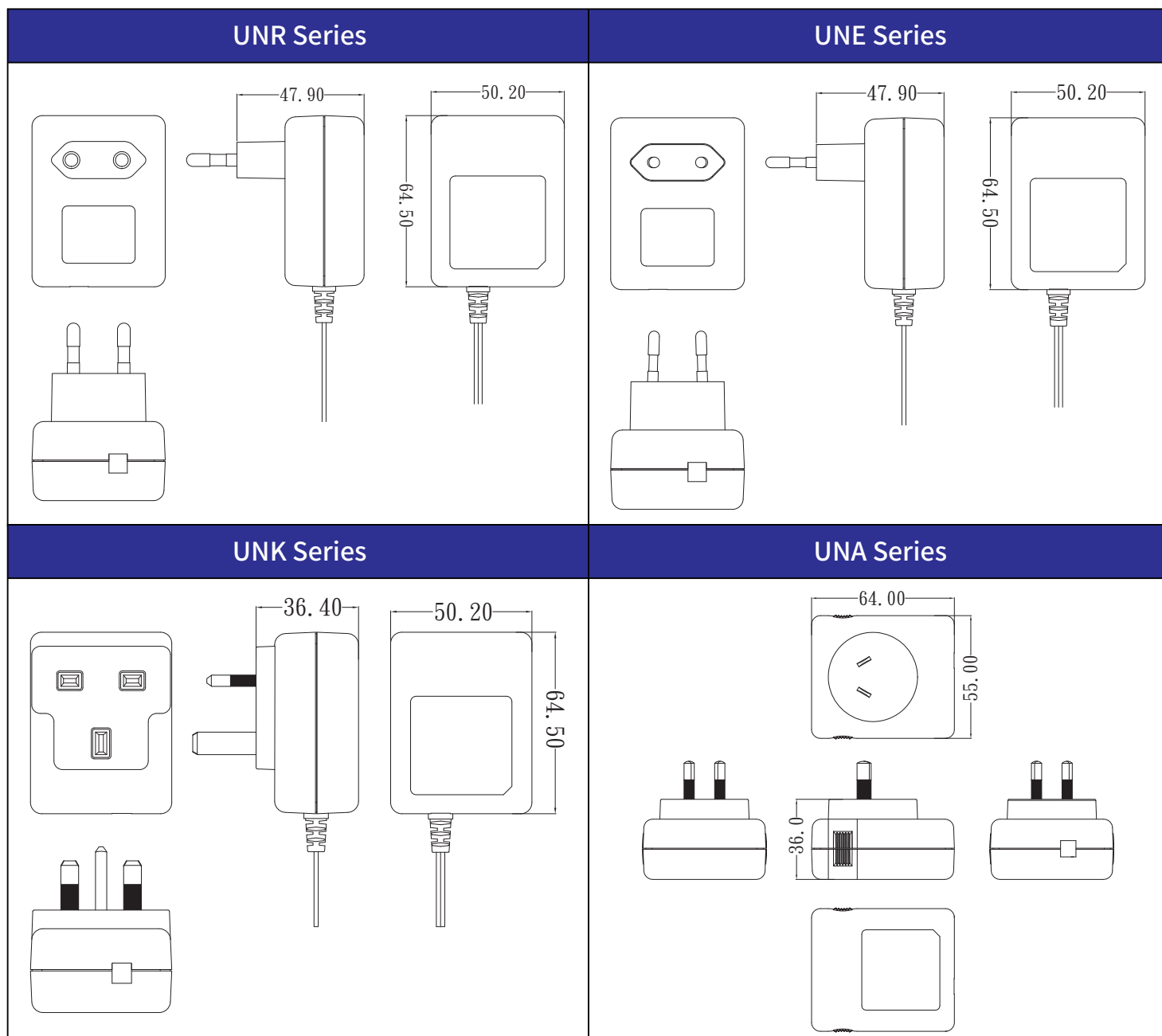
■ Measurement condition

1. Measurements shall be made with an oscilloscope with 20MHz bandwidth.
2. Outputs shall be bypassed at the connector with a 0.1uF ceramic disk capacitor and a 10uF electrolytic capacitor to simulate system loading.
3. "*" Symbolic Representation : Efficiency level V

————— more detail on next page —————

Mechanical Spec

UN118 Series	UN318 Series
<p>UN118 Series mechanical drawings showing front, side, and top views. Dimensions: 29.50, 63.90, and 49.50.</p>	<p>UN318 Series mechanical drawings showing front, side, and top views. Dimensions: 29.50, 63.90, and 49.50.</p>
UNL118 Series	UNL318 Series
<p>UNL118 Series mechanical drawings showing front, side, and top views. Dimensions: 64.00, 50.00, and 34.80.</p>	<p>UNL318 Series mechanical drawings showing front, side, and top views. Dimensions: 64.00, 50.00, and 34.80.</p>
UNY Series	UNZ Series
<p>UNY Series mechanical drawings showing front, side, and top views. Dimensions: 29.50, 63.90, and 49.50.</p>	<p>UNZ Series mechanical drawings showing front, side, and top views. Dimensions: 64.00, 50.00, and 34.80.</p>



— the following blank —

■ Please contact our sales department for details of each model ■