

UN Series

AC/DC Adaptor **15W** Series Wall Mount



▲ UN115/UN315



▲ UNL115/UNL315



▲ UNY315



▲ UNZ315



▲ UNE315



▲ UNR315



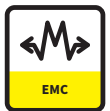
▲ UNK315



▲ UNA315



■ Please contact our sales department for safety standard of each model.



Product Highlights

- Stability
- Ultra small size
- Energy efficiency
- Suit , optical network, ADSL modem, Audio or Video equipment

Protection

- Short circuit protection
- Over Voltage Protection
- Over Current Protection

Safety Approvals

- UL60950
- CAN/CSA C22.2 NO. 60950
- PSE
- IEC/EN60950-1

Efficiency

- Meet DoE Level VI

Emissions

- FCC Part15 Class B
- CE CISPR 32 Class B
- VCCI Class B

Immunity

- EN55024/A1:2001

Input					
Description	Min	Typ	Max	Units	Comment
Voltage	90	100~240	264	VAC	
Frequency	47	50/60	63	Hz	

Environmental					
Description	Min	Typ	Max	Units	Comment
Operating Temperature	0	-	40	°C	Free Convection,Sea level
Storage Temperature	-20	-	65	°C	Free Convection,Sea level
Operating Humidity	5	-	95	%RH	No Condensing
Storage Humidity	5	-	95	%RH	No Condensing

Typical model list

Input Condition	DC Output Voltage	DC Output Current	Output Voltage Precision	Ripple	Noises	Regulation		Option/Remark	
						Line	Load		
Input Voltage: 90V-264Vac Frequency: 47-63Hz	1	5V	2.5A	±5%	100mV	100mV	2%	10%	
	2	5.9V	2.3A	±5%	120mV	120mV	2%	10%	
	3	9V	1.6A	±5%	150mV	150mV	2%	10%	
	4	12V	1.25A	±5%	120mV	240mV	2%	10%	
	5	15V	1.0A	±5%	150mV	300mV	2%	10%	
	6	24V	0.65A	±5%	240mV	480mV	2%	10%	
	7	48V	0.3A	±5%	300mV	300mV	2%	10%	
	8	-	-	-	-	-	-	-	
	9	-	-	-	-	-	-	-	

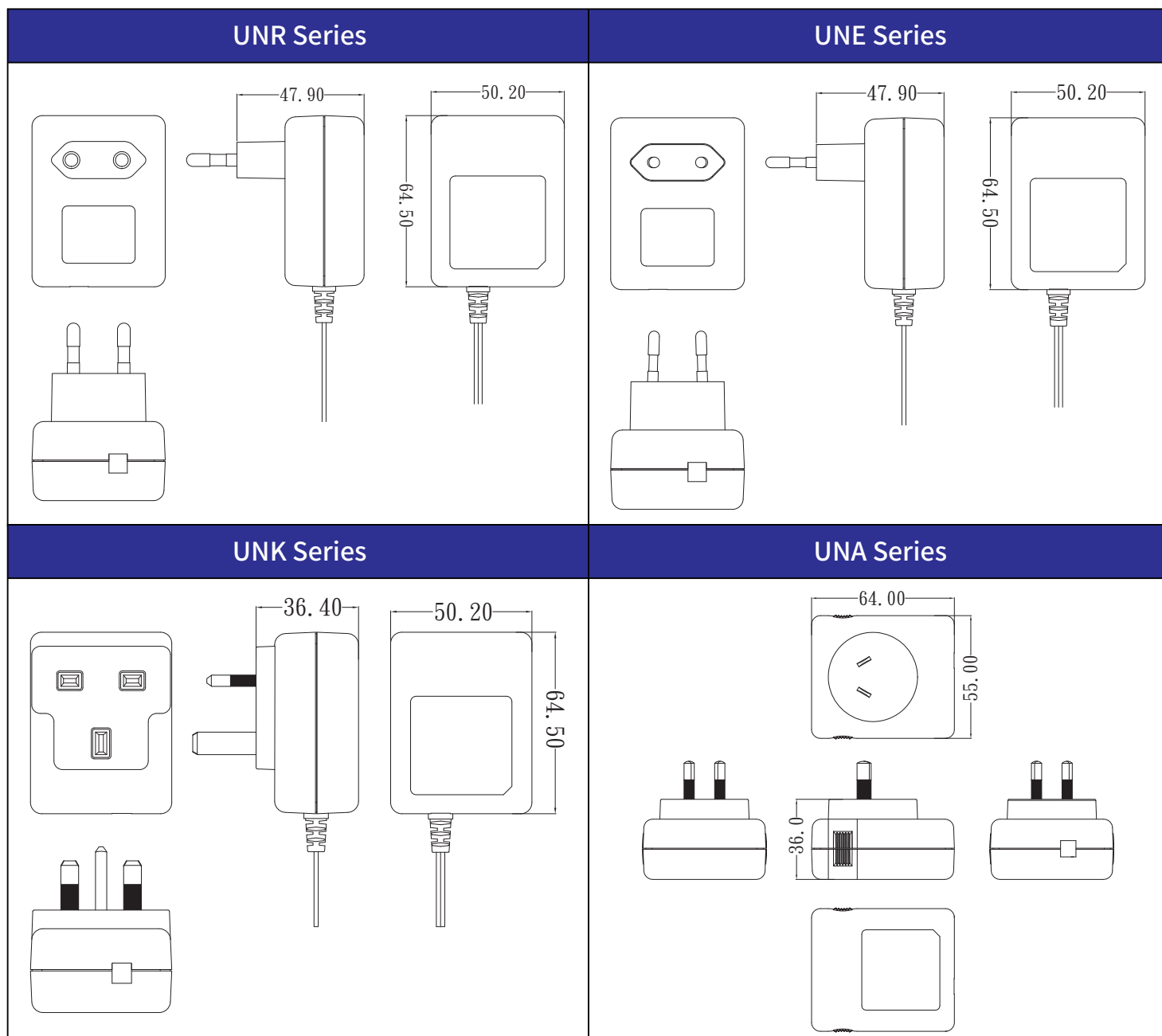
■ Measurement condition

1. Measurements shall be made with an oscilloscope with 20MHz bandwidth.
2. Outputs shall be bypassed at the connector with a 0.1uF ceramic disk capacitor and a 10uF electrolytic capacitor to simulate system loading.

more detail on next page

Mechanical Spec

UN115 Series	UN315 Series
<p>UN115 Series mechanical drawings showing front, side, and top views. Dimensions: 29.50 (top view width), 63.90 (front view height), and 49.50 (front view width).</p>	<p>UN315 Series mechanical drawings showing front, side, and top views. Dimensions: 29.50 (top view width), 63.90 (front view height), and 49.50 (front view width).</p>
UNL115 Series	UNL315 Series
<p>UNL115 Series mechanical drawings showing front, side, and top views. Dimensions: 64.00 (front view height), 50.00 (front view width), and 34.80 (top view height).</p>	<p>UNL315 Series mechanical drawings showing front, side, and top views. Dimensions: 64.00 (front view height), 50.00 (front view width), and 34.80 (top view height).</p>
UNY Series	UNZ Series
<p>UNY Series mechanical drawings showing front, side, and top views. Dimensions: 29.50 (top view width), 63.90 (front view height), and 49.50 (front view width).</p>	<p>UNZ Series mechanical drawings showing front, side, and top views. Dimensions: 64.00 (front view height), 50.00 (front view width), and 34.80 (top view height).</p>



— the following blank —

■ Please contact our sales department for details of each model ■