

UN Series

AC/DC Adaptor **12W** Series Wall Mount



▲ **UN112/UN312**



▲ **UNL112/UNL312**



▲ **UNY312**



▲ **UNZ312**



▲ **UNE312**



▲ **UNR312**



▲ **UNK312**



▲ **UNA312**



■ Please contact our sales department for safety standard of each model.



Product Highlights

- Stability
- Ultra small size
- Energy efficiency
- Suit , optical network, ADSL modem, Audio or Video equipment

Protection

- Short circuit protection
- Over Voltage Protection
- Over Current Protection

Safety Approvals

- UL60950
- CAN/CSA C22.2 NO. 60950
- PSE
- IEC/EN60950-1

Efficiency

- Meet DoE Level VI

Emissions

- FCC Part15 Class B
- CE CISPR 32 Class B
- VCCI Class B

Immunity

- EN55024/A1:2001

Input					
Description	Min	Typ	Max	Units	Comment
Voltage	90	100~240	264	VAC	
Frequency	47	50/60	63	Hz	

Environmental					
Description	Min	Typ	Max	Units	Comment
Operating Temperature	0	-	40	°C	Free Convection,Sea level
Storage Temperature	-20	-	65	°C	Free Convection,Sea level
Operating Humidity	5	-	95	%RH	No Condensing
Storage Humidity	5	-	95	%RH	No Condensing

Typical model list

Input Condition	DC Output Voltage	DC Output Current	Output Voltage Precision	Ripple	Noises	Regulation		Option/Remark	
						Line	Load		
Input Voltage: 90V-264Vac Frequency: 47-63Hz	1	5V	2.0A	±5%	100mV	100mV	2%	10%	
	2	5.9V	2.0A	±5%	150mV	150mV	2%	10%	
	3	9V	1.3A	±5%	180mV	180mV	2%	10%	
	4	12V	1.0A	±5%	150mV	240mV	2%	10%	
	5	24V	0.5A	±5%	240mV	480mV	2%	10%	
	6	-	-	-	-	-	-	-	
	7	-	-	-	-	-	-	-	

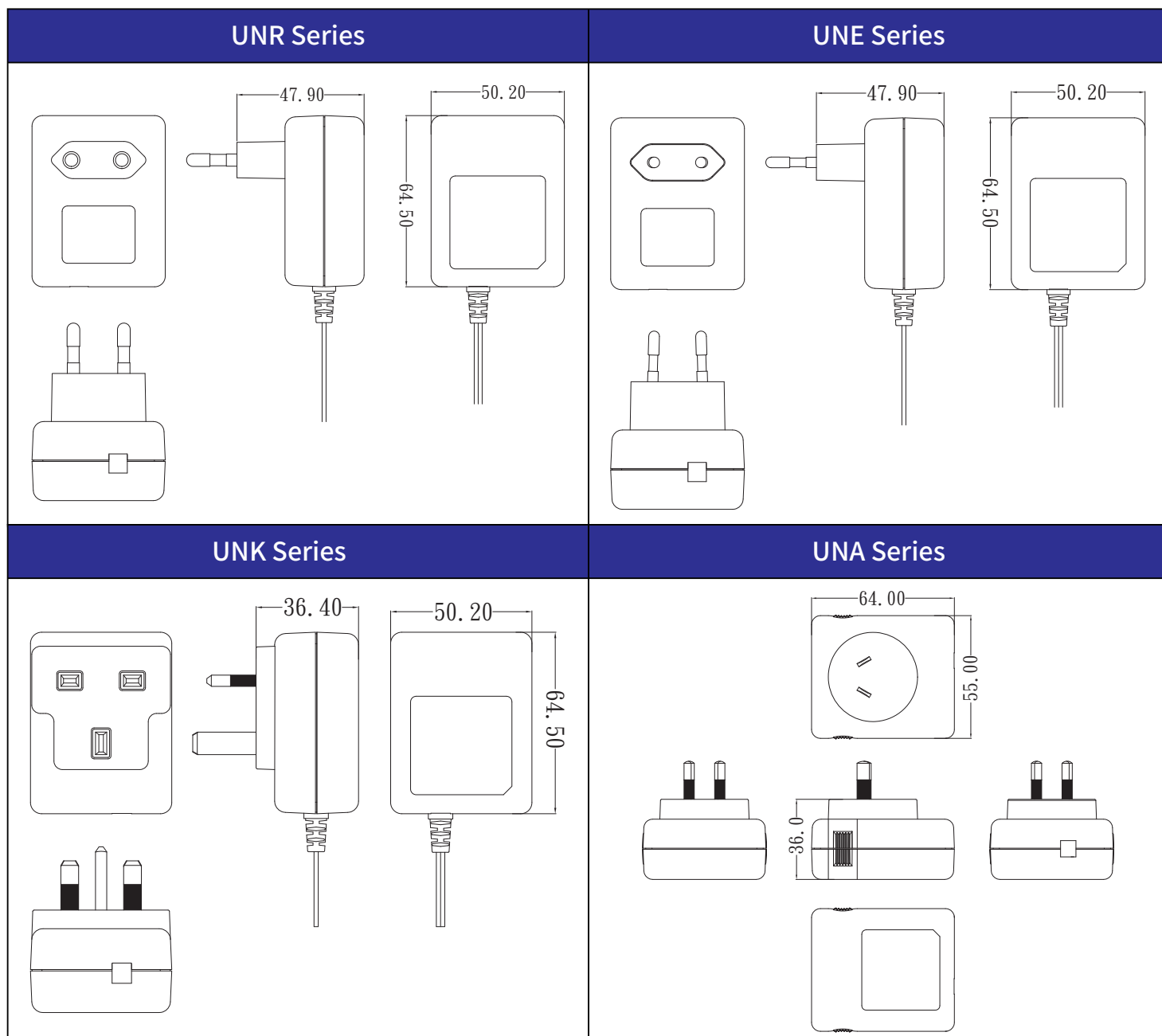
■ Measurement condition

1. Measurements shall be made with an oscilloscope with 20MHz bandwidth.
2. Outputs shall be bypassed at the connector with a 0.1uF ceramic disk capacitor and a 10uF electrolytic capacitor to simulate system loading.

more detail on next page

Mechanical Spec

UN112 Series	UN312 Series
<p>UN112 Series mechanical drawings showing front, side, and top views. Dimensions: 29.50 (top view width), 63.90 (front view height), and 49.50 (front view width).</p>	<p>UN312 Series mechanical drawings showing front, side, and top views. Dimensions: 29.50 (top view width), 63.90 (front view height), and 49.50 (front view width).</p>
UNL112 Series	UNL312 Series
<p>UNL112 Series mechanical drawings showing front, side, and top views. Dimensions: 64.00 (front view height), 50.00 (front view width), and 34.80 (top view height).</p>	<p>UNL312 Series mechanical drawings showing front, side, and top views. Dimensions: 64.00 (front view height), 50.00 (front view width), and 34.80 (top view height).</p>
UNY Series	UNZ Series
<p>UNY Series mechanical drawings showing front, side, and top views. Dimensions: 29.50 (top view width), 63.90 (front view height), and 49.50 (front view width).</p>	<p>UNZ Series mechanical drawings showing front, side, and top views. Dimensions: 64.00 (front view height), 50.00 (front view width), and 34.80 (top view height).</p>



— the following blank —

■ Please contact our sales department for details of each model ■